

M12 male 90°/M12 female 90° shielded B-cod.Profibus

PVC 1x2xAWG24 shielded vt UL/CSA 5m

Male 90° – female 90°

M12, 4-pole – M12, 2-pole

B-coded

shielded

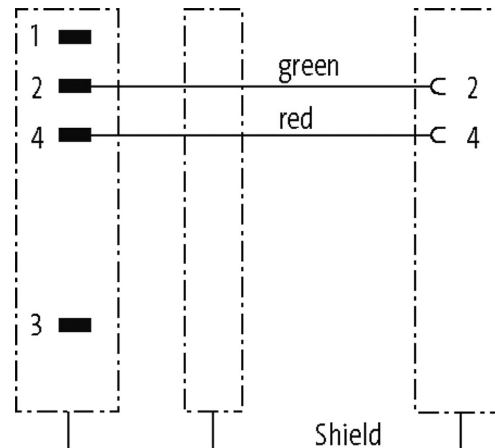
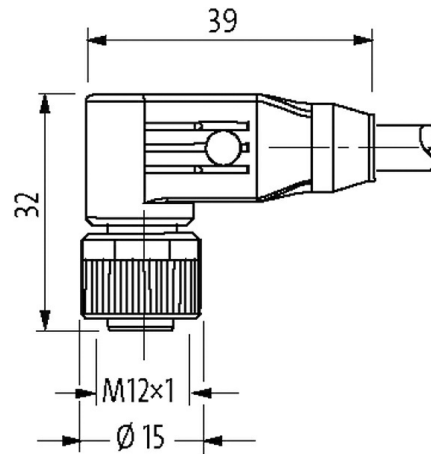
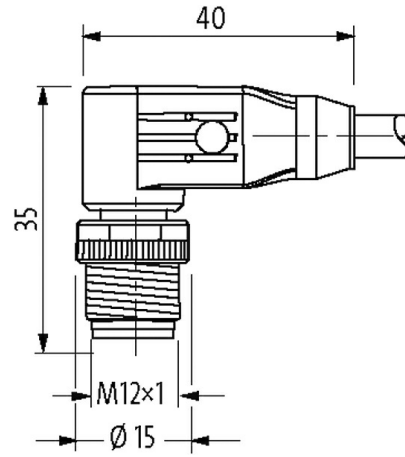
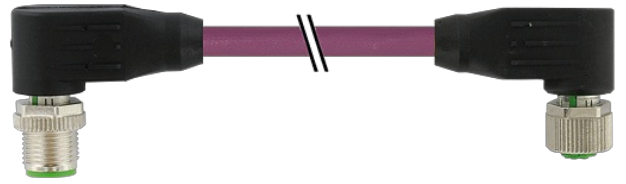
Plastic housings with good resistance against chemicals and oils.

The resistance to aggressive media should be individually tested for your application. Further details on request.

Further cable lengths on request.

Illustration

stay connected



Product may differ from Image

Approvals

cCSAus



* only for products with UL/CSA approved cable

Form

Form 44021

CablesNo./diameter of wires 1 x 2 x 0.25 mm²

Wire isolation PE (rd, gn)

C-track properties 2 Mio.

Material (jacket) PVC (UL)

Outer Ø 7.8 mm ±5%

Bend radius (moving) 12 x outer Ø

Temperature range (fixed) -25...+70 °C

Temperature range (mobile) -20...+50 °C

Cable identification 850

Cable weight [g/m] 75,90

Material (wire) Cu wire, bare

Resistor (core) max. 68 Ω/km (20 °C)

Single wire Ø (core) 0.13 mm

Construction (core) 19 x 0.13 mm

Diameter (core) 1 x 2 x 0.25 mm²

AWG similar to AWG 24

Material (wire isolation) PE

Wire-Ø incl. isolation 2.55 mm ±5%

Color/numbering of wires rd, gn

Shield yes

min. 70%

Material (jacket) PVC

Outer-Ø (jacket) 7.8 mm ±5%

Color (jacket) violet

Nominal voltage 30 V AC

Test voltage 1.5 kV

Temperature range (fixed) -25...+70 °C

Temperature range (mobile) -20...+50 °C

Bend radius (fixed) 7.5 x outer Ø

Bend radius (moving) 12 x outer Ø

No. of bending cycles (C-track) max. 2 Mio. (25 °C)

Traversing distance (C-track) max. 5 m (horizontal)

Travel speed (C-track) max. 3 m/s

Acceleration (C-track) max. 5 m/s²

Jacket Color violet

Technical Data

Operating voltage max. 60 V AC/DC

Operating voltage (only UL listed) 30 V AC/DC

Rated surge voltage 1.5 kV

Operating current per contact max. 4 A

No. of poles M12, 4-pole – M12, 2-pole

Material group IEC 60664-1, category I

Coding B-coded

LED display	no
Locking of ports	Screw thread (M12×1 mm) recommended torque 0.6 Nm, self-securing
Compression gland	M12 (SW13)
Protection	IP65, IP66K, IP67 inserted and tightened (EN 60529)
Material	PUR
Locking material	Zinc die casting, matte nickel plated
suitable for corrugated tube (internal Ø)	without

General data

Standards	DIN EN 61076-2-101 (M12)
Mounting method	inserted, tightened
Material (contact)	Copper alloy
Material (contact surface)	Au
Material (gasket)	FKM
Pollution Degree	3
Temperature range	-25...+85 °C, depending on cable quality

Commercial data

country of origin	DE
customs tariff number	85444290
EAN	4048879526449
eClass	27061801
Packaging unit	1